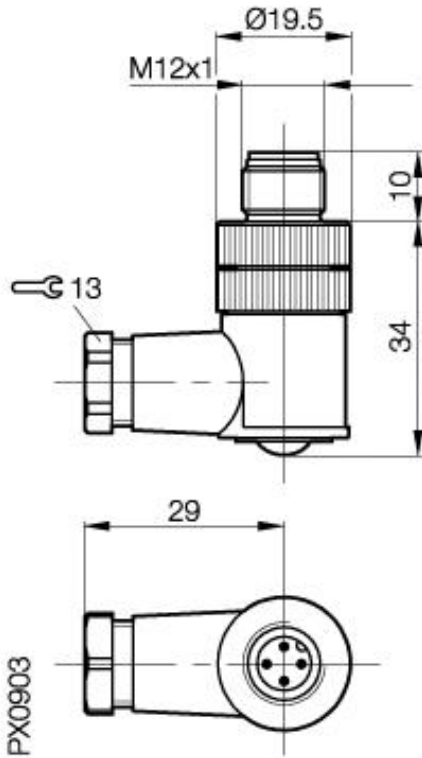


## Accessories: Connectors RSCW 4-7



### Common Data

Version	coupling, angle, 4-pin
Usable with	S4 female (DC, M12)
Manufacturer	Lumberg
Ambient temperature	-25°C...+90°C
Function display	no
Supply voltage display	no

### Mechanical Data

Measurements WxHxD or Dia x D	44x38,5x19,5
Material	PA
Protection class per IEC 60529	IP67
Cable version	for user assembly
Conductor cross section	max. 0,75

### Electrical Data

Supply voltage	10...30VDC
----------------	------------



Datasheet number::

Definitions see general catalog.  
If not otherwise noted, ratings according to  
IEC 60947-5-2 (DIN EN60947-5-2)

Balluff GmbH  
Schurwaldstrasse 9  
73765 Neuhausen a.d.F.  
Phone (07158) 173-0 Fax (07158) 5010

Datenblatt by CD-ROM - 04/2007

**BALLUFF**  
sensors worldwide